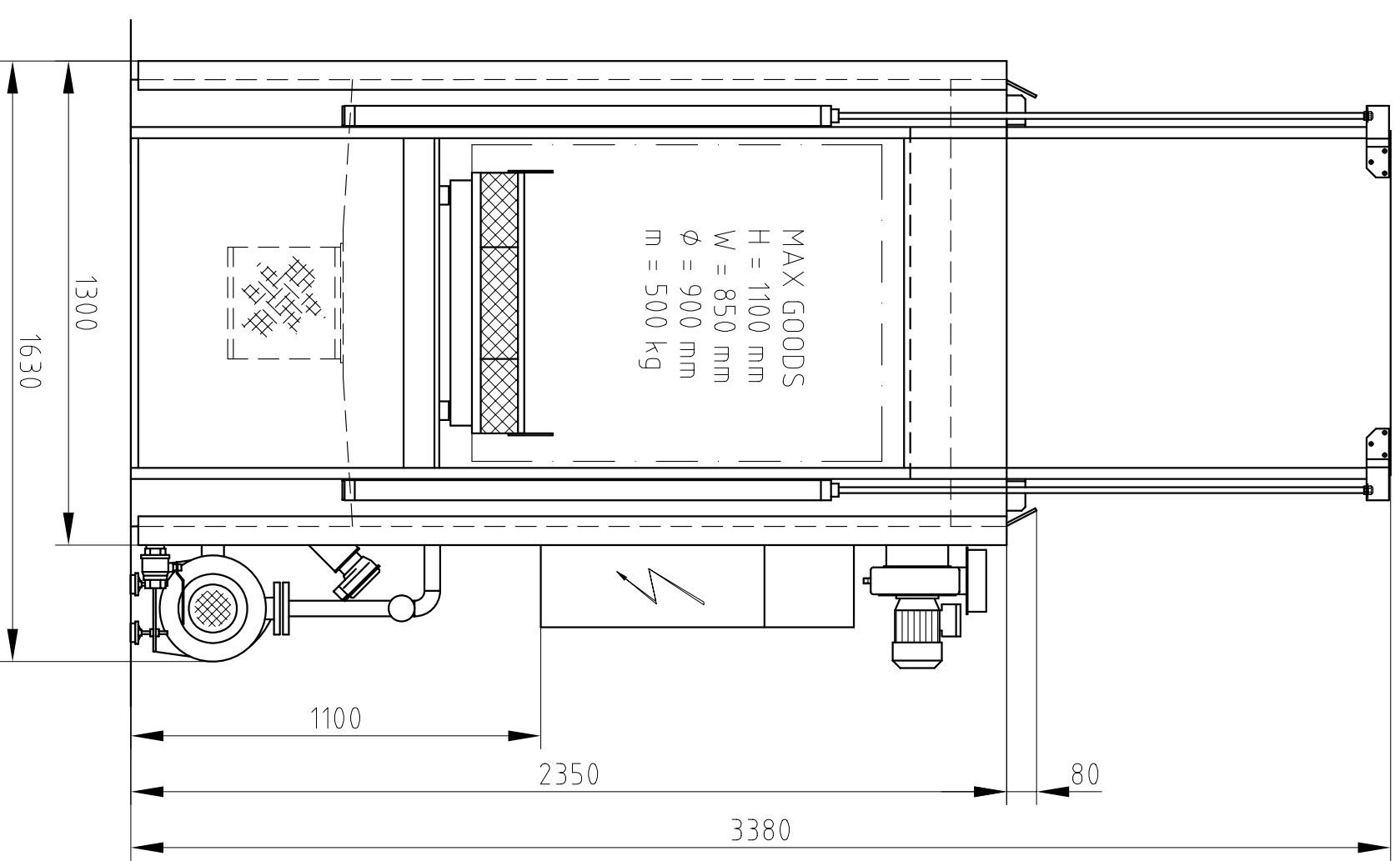
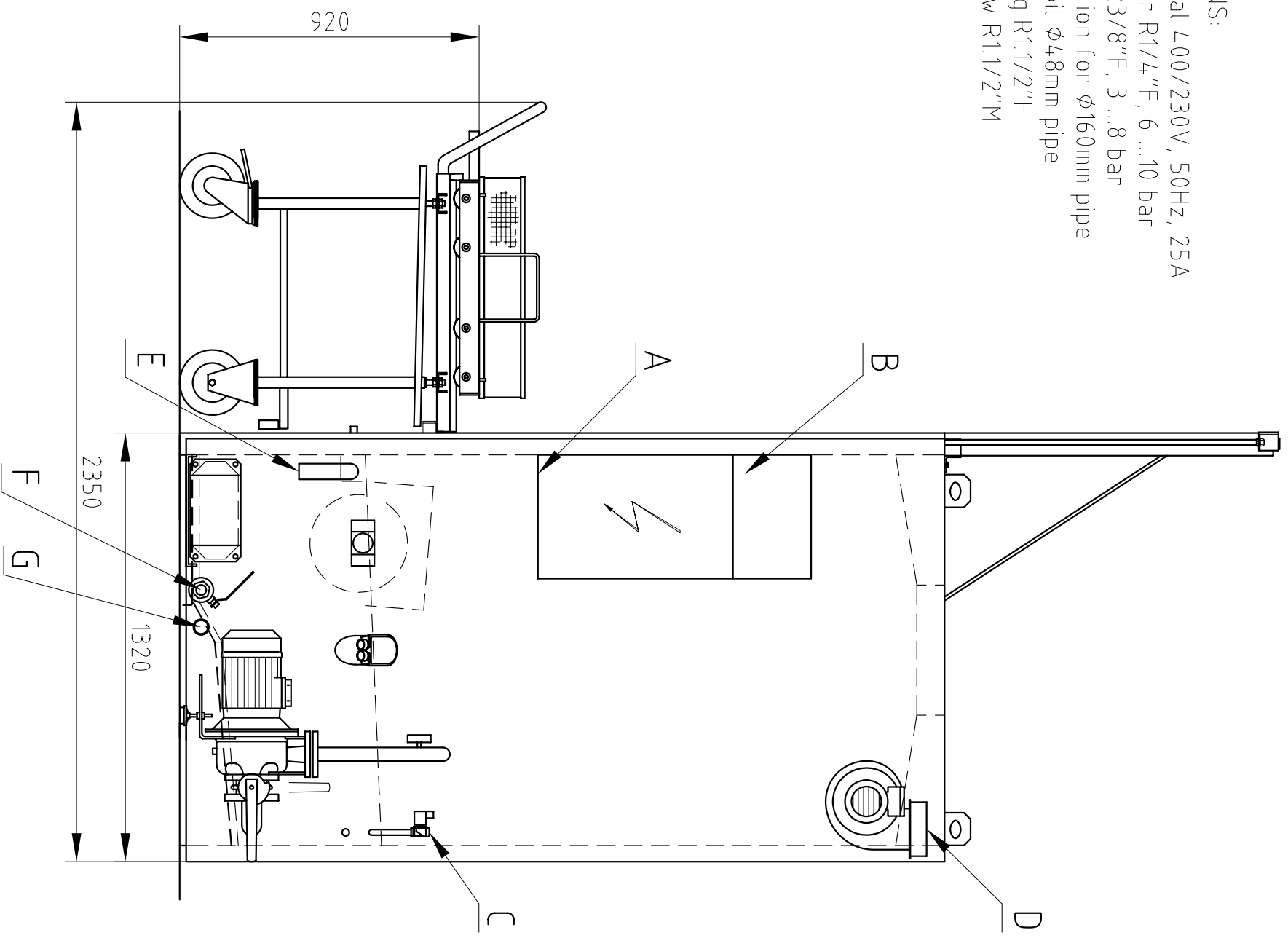


- CONNECTIONS:
- A - Electrical 400/230V, 50Hz, 25A
  - B - Comp. air R1/4"F, 6...10 bar
  - C - Water R3/8"F, 3...8 bar
  - D - Ventilation for  $\phi$ 160mm pipe
  - E - Waste oil  $\phi$ 48mm pipe
  - F - Emptying R1.1/2"F
  - G - Overflow R1.1/2"M



		DATE	14.03.08	REPLACED	
		NAME	2	IM 100B "R"	
		NAME	LAY OUT		
PLOT	A3	SCALE	1:17.5	DWG. No	T180314B
CAB11-12		MAIN DWG	MADE BY	Tle	
		PROJECT	QTY	Valm.määrä 1	