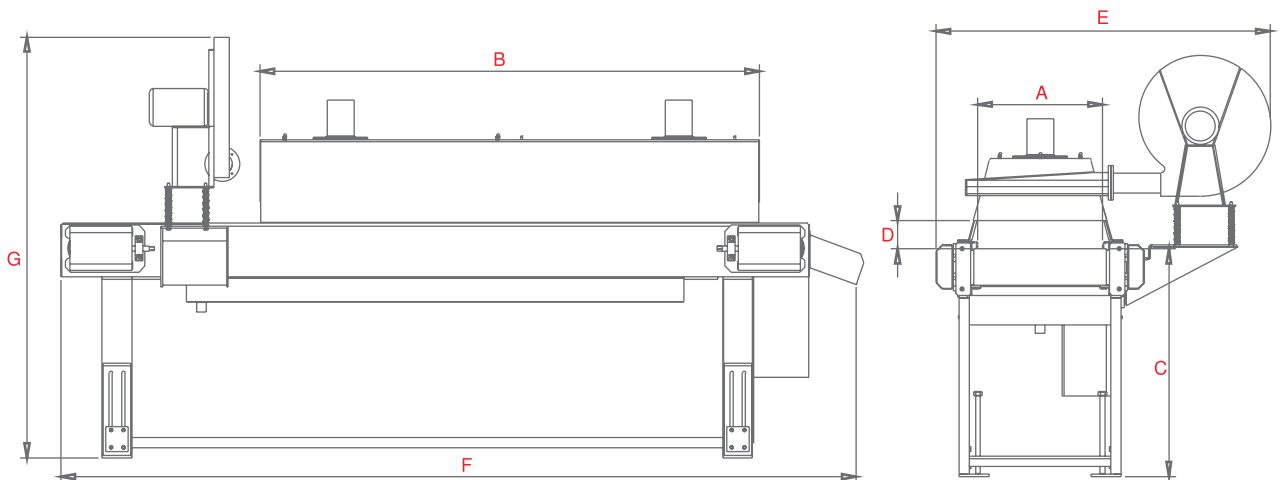




EKR 500X3000

Belt Drying Machines

Rösler Kromas belt dryers are used for drying of large and small parts that are prone to damage. Parts that have many holes of different sizes and heavy parts are ideal for this type of machine. Drying is achieved by temperature controlled hot air which is recirculated in drying chamber. Belt drying machines can optionally be equipped with air sprays to blow off water.



	Conveyor Speed	Process Area Width	Process Area Length	Discharge Height	Process Area Height	Width	Length	Height	Weight	Motor Cycle (At 50Hz)	Total Power
	m/dak.	mm	mm	mm	mm	mm	mm	mm	kg	d/d	kW
		A	B	C	D	E	F	G			
TNL 4000	1-2,5	600	2000	830	170	1870	3610	1560	1740	1500	49
EKR 500x3000	1-2,5	500	2000	915	125	1345	3200	1690	520	1500	20